

SINCE
19
97

iLX 

Product Catalog | 2022




TURKISH MADE

Discover potential and quality

- İLX Company Introduction 3
- Product Lines**
- İL-XOFKM Series Fork Sensors 4
- Sensor Solutions 6
- Cross Position Limit Switch 7
- Cam Switches 8-13
- RGB Multi Color Tower Lights 14
- Pick - to - Lights & Indicators 15
- Ø50 PM5 Series Modular Tower Lights 16
- Ø50 Pro Series Tower Lights 17
- Ø50 T5 Series Tower Lights 18
- Ø70 T7 Series Tower Lights 19
- Multi M70 Modular Tower Lights 20
- Multi Ø70 Horn Combination Buzzers 21
- Multi Ø60, Ø70, Ø80, 90, 100, 120 Warning Lights 22-23
- HP Series Industrial Warning Lights 24
- HP Series Heavy Duty Sirens & Lights 25
- Solar Warning Lights 26
- Aviation Obstruction (Aircraft) Lights 27
- Chargeable Warning Lights 28
- Flexible Machine Tool Lights Series 29
- Cam Switches Connection Diagrams 30
- Connection Schemes 31-33

İLX Engineering, established by Mr. Cafer Bulut in 1997 and world-renowned for more than 25 years, responds to the demands of producers, manufacturers, companies, and project firms in the field of automation in the fastest way possible. Our company manufactures and sells qualified, price/ratio performed products.

In 2004, having started its own production with warning lamps, İLX contributed to the Turkish Industry substantially as domestic manufacturer with beacon lamps, solar warning lamps, aircraft warning lamps and cam switches.

İLX completed its product range with the import of wellknown world brands, appreciated for their high quality among customers and in particular end-users.

Today İLX Engineering is responding to domestic and international demands with up-to-date products. İLX aim is to be one of the World's leading brands, expanding its export share every year .

Comprising of experienced sales engineers, İLX brings forward positive solutions from common requirements up to high level heavy industry requirements. İLX settles another key priority on after sales technical support and service.

Our staff and clients are the basis for us. Therefore we provide technical and self- improvement training every year.

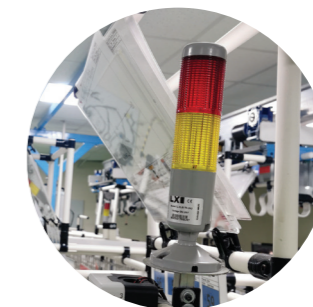


To find out necessities of the market and clients, we visit our customers regularly and integrate their ideas and demands in our R&D and finally in our production flow.

We have three production sites in Istanbul, several dealers located in the most important regions, to be able to provide our service to all of our customers from the closest point.

To reach our aims, we improve our knowledge and increase our innovativeness continuously and highly care about our R&D.

We believe that only those companies, being openminded, thinking visionary and responding to technical demands can create reliable and long-term satisfying solutions. To reach this aim and become partners of today's and tomorrow's applications, we work intently every day.



Features

- Overvoltage and overcurrent protection
- Adjustable sensitivity and output type
- Resistance to ambient and surging lights

NEW
PRODUCT



| Model | OFKM10 | OFKM20 | OFKM30 | OFKM40 | OFKM50 | OFKM80 | OFKM120 | OFKM150 |
|-----------------------------|--|----------|----------|----------|----------|-----------|------------|------------|
| Fork Measurement Gap | 10mm | 20mm | 30mm | 40mm | 50mm | 80mm | 120mm | 150mm |
| Rated Operation Voltage | 10-30VDC | | | | | | | |
| Max. Sensitivity | 0.4mm | | | | | | | |
| Output Type | PNP/NPN (Factory Set) – NO/NC (Adjustable) | | | | | | | |
| Rated Output Current | 120mA | | | | | | | |
| Material | Anodized Aluminum | | | | | | | |
| Light Color | Red | | | | | | | |
| Modulation | Pulse Modulated | | | | | | | |
| Max. Output Switching Freq. | 250 Hz | | | | | | | |
| Connector | M8 4 Pin Male | | | | | | | |
| Protection | IP65 | | | | | | | |
| Operation Temperature | -25...+60°C | | | | | | | |
| Dimensions (mm) | 55x25x10 | 60x40x10 | 60x50x10 | 80x60x10 | 80x70x10 | 80x100x10 | 100x144x12 | 245x174x12 |
| Conforming Standard | EN 60947-5-2 | | | | | | | |

Label Sensors

- High precision
- Adjustable sensitivity
- Die-cast zinc construction
- Adjustable NO/NC output
- High output current allows driving of light loads
- Available in capacitive, optic and ultrasonic varieties
- IP67 protection allows operation in harsh environments



OLM

Frame Light Barriers

- Detachable corrugated crossbar
- NO/NC switchable
- Short response time
- Adjustable sensitivity
- Available in various sizes
- Detects objects as small as 0.7mm
- Robust anodized Aluminium casing



OFKM

Angled Light Barriers

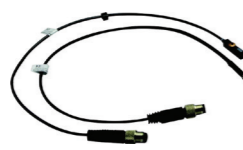
- Metal casing
- Light/dark switching
- Sensitivity adjustable
- All-purpose mounting
- High operating frequency
- Integrated electronic module
- Optical axis approachable in x-, y- and z- direction



OFKM 75

Cylinder and Gripper Sensors

- Compact design
- Vibration resistant
- High reproducibility
- Stainless steel casing
- IP67 protection class
- Short circuit proof-polarity safe products



MRK

Inductive Proximity Switch

- Mounting type: flush
- Distance Sn: 4 mm İL-X412
- Distance Sn: 2 mm İL-X408
- Hysteresis: 3 ... 20 % of Sr
- Output indicator: 4 port LED red
- Switching frequency: < 2 kHz İL-X412
- Switching frequency: < 5 kHz İL-X408
- Voltage supply: 10 ... 30 VDC
- Output circuit: PNP/NO
- Voltage drop Vd: < 2 VDC
- Output current: < 200 mA
- Short circuit protection: yes
- Reverse polarity protection: yes
- Housing material: brass nickel plated
- Dimension: 12 mm İL-X412
- Dimension: 8 mm İL-X408
- Connection: M12 Circular Connector



IRM

Fork Light Barriers

- Robust housing
- High reproducibility
- Light/dark switching
- Sensitivity adjustable
- Fork widths from 5 to 250mm
- High switching frequency-ambient light immunity



OFKM 100

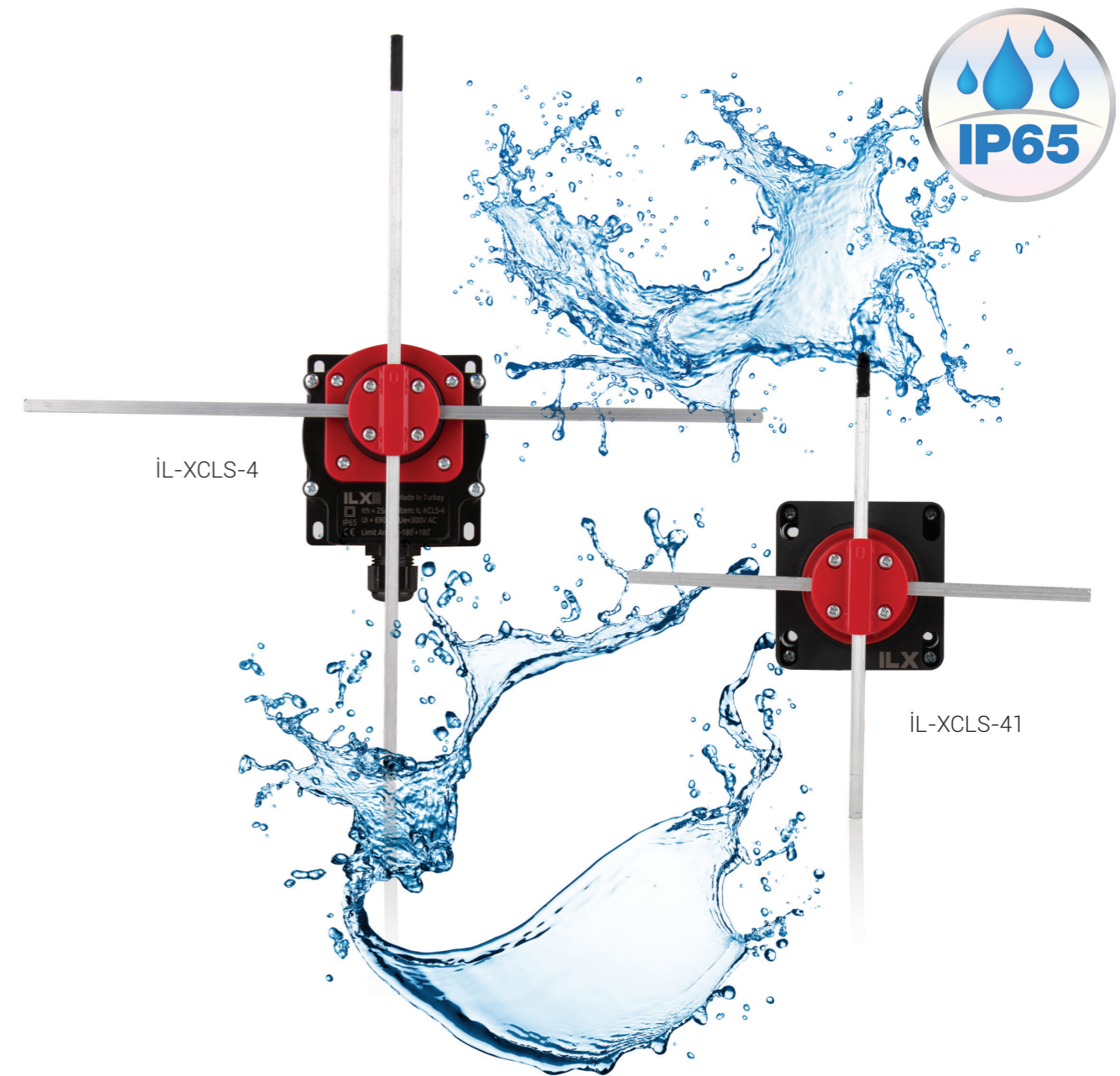
Ring Sensors

- Polyamide housing
- Broad voltage input of 10..35 VDC
- High output current allows driving of light loads
- Sensitivity adjustment
- Ring diameter from 4 to 150 mm
- IP67 protection allows operation in extreme industrial applications/ damage resistance

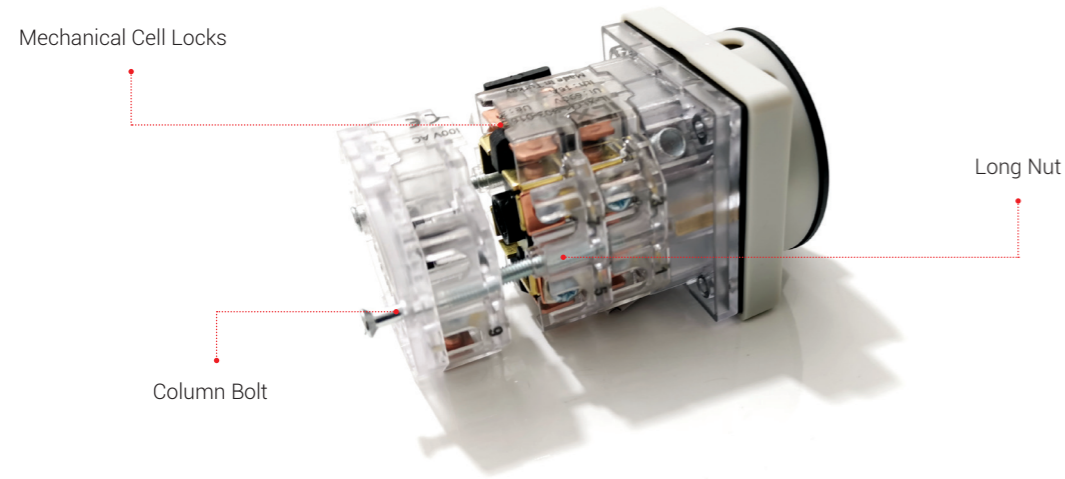


PQR

- Cross rotary limit switches with 280 mm rods
- According to IEC/EN 60947-3
- Ambient temperature : operating -25° +55° C storage -30° +70° C
- Cable entry with PG13.5 cable gland
- Max limit ± 180°

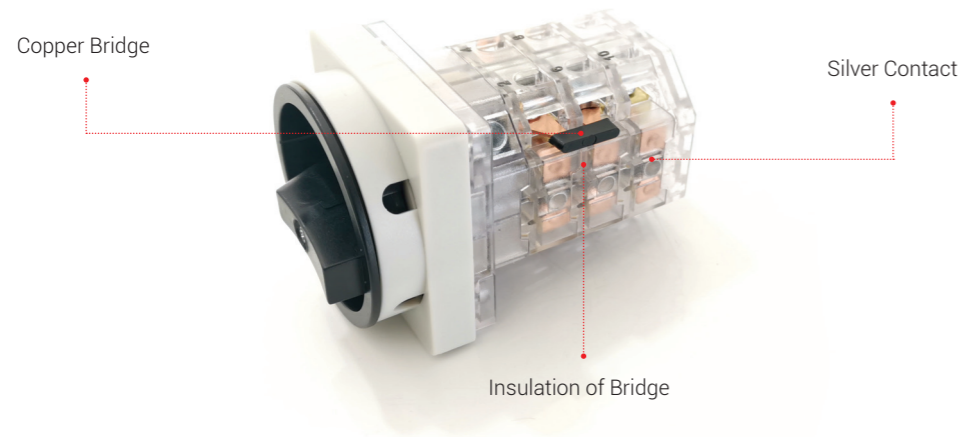


Aesthetics and Durability are at the forefront.



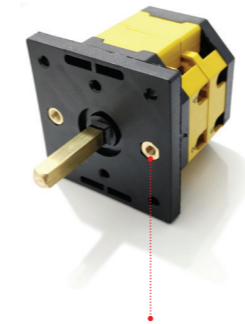
In the cells combined with mechanical cell locks, column bolt and long nut; many problems are removed such as physical resistance decrease, and inability to withstand the weight of the cable due to factors such as heat and vibration in regards environment used over time and also wobbling and flexion problems are removed.

The Best in Electrical Conductivity

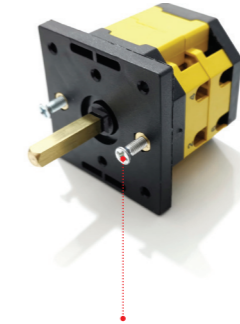


The metals with the best electrical conductivity are copper and silver. Owing to Silvers high current permability, thermal strength, and its resistance to corrosion, the contacts of our cam switch are silver covered. Therefore, in case of possible instantaneous high current, contacts do not stick and do not cause fire hazard.

Mountability and Durability



Non-deforming mounting feature with M4 nuts



High clamping strength with M4 bolts



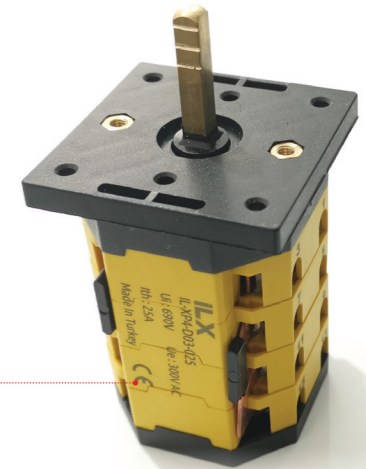
Ability to be mounted on thick surfaces

Laser Marking

Although cam switches are known as typical products, due to the flexible solutions and diverse necessities of industry, they are produced in many different types.

Identifying the references is important for each key type.

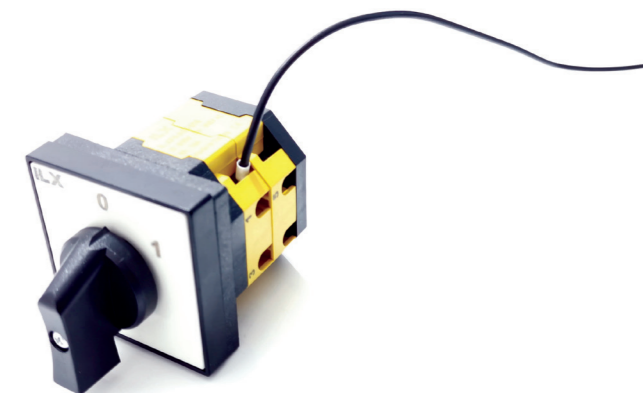
We are using laser labeling for understanding and simplifying the explanations and to prevent markings from wearing off.



Cable Assembly Work

Lift mounting bolts reduce the cable assembly work and provide you with a safe assembly.

Closed Bolt System prevents assembly bolts to fall and get lost.



Turn Your Switch Safely

The metal shaft, to which the handwheel is connected and allowing all contacts to move, is positioned at the center of the switches.

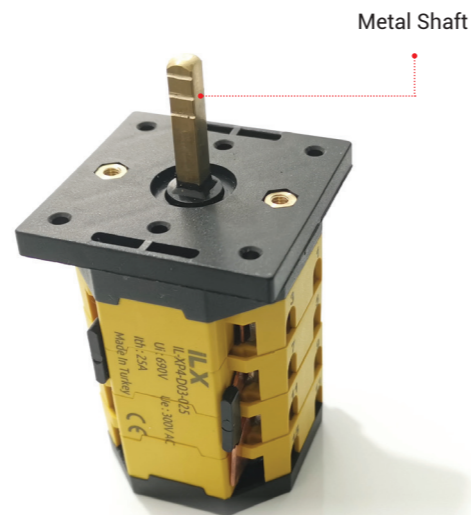
The step adjuster mechanical system, which minimizes the electrical arc and can perform fast on and off, has been developed by ILX R&D engineers.

An arc is an electrical explosion in an electrical system caused by a low impedance connection with earth or another phase. In arc explosions, high temperatures cause the air surrounding that point to heat up quickly and create high air pressure.

User-Friendly

One of the advantages of ILX switches is that, while assembling the shaft of the crank handle, no additional parts or special screws are required.

During the assembly and disassembly of the crank handle, deforming is out of question.



The Frame Dimensions
 4 48x48 mm
 6 64x64 mm
 8 88x88 mm

The Phases
 01 1 Phase 06 6 Phase
 02 2 Phase 07 7 Phase
 03 3 Phase 08 8 Phase
 04 4 Phase 09 9 Phase
 05 5 Phase 10 10 Phase

010 10A
 016 16A
 020 20A
 025 25A
 032 32A
 040 40A
 050 50A
 063 60A
 080 80A
 100 100A
 125 125A
 160 160A
 200 200A

Type
 P Panel Montage
 L Locked Montage
 B ByPass

The Models
 A On-Off (0-1)
 B Inversion(1-0-1)
 C Reversion(1-0-2)
 D Star Delta (0-Y-Δ)
 E Gradual
 F Voltmeter Selector Switch
 G Ammeter Selector Switch

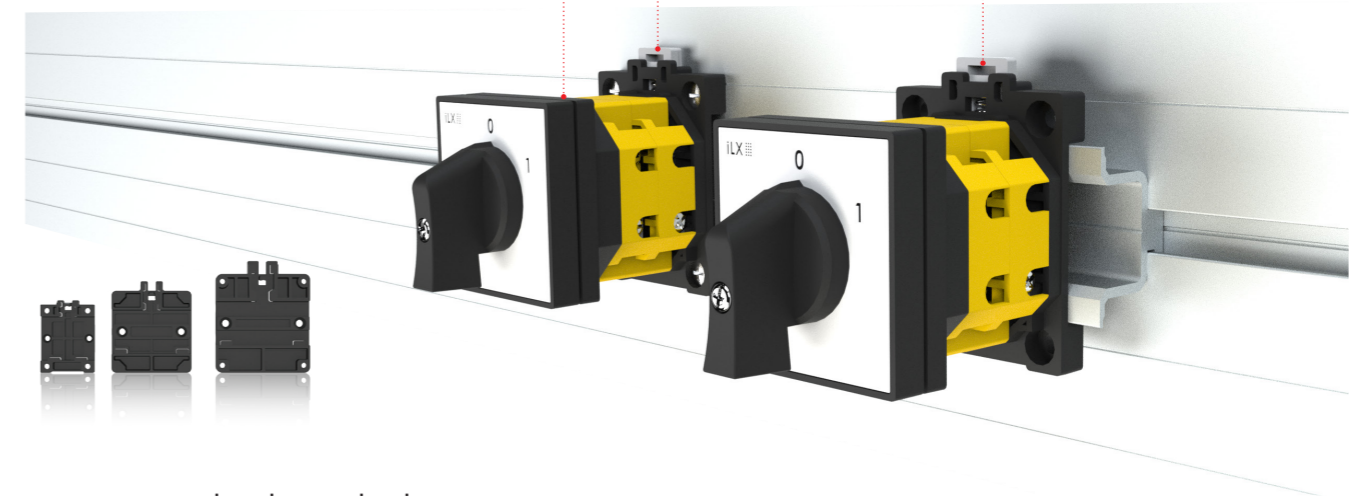
IL - X P 4 - A 03 - 025

DIN Rail Mounting

Fire Resistant
 Suitable for use in places with fire hazard

Surface Mount
 Rail Mount bracket may also be used to attach the switch to surfaces through the holes in corners.

DIN Rail Mount
 Mounting a cam switch to a DIN rail had never been easier. Perfectly fits the rail and allows easy removal.



Door Interlock Switches



Off Position
 Panel door may be opened



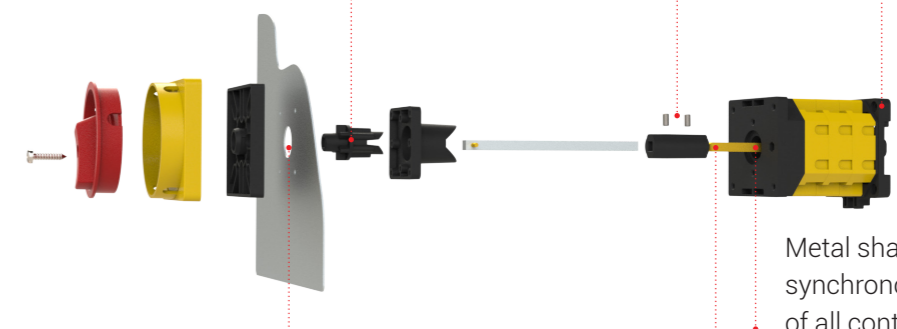
On position
 Panel door is locked



Robust Plastics
 Rear Mounted Interlock Plate

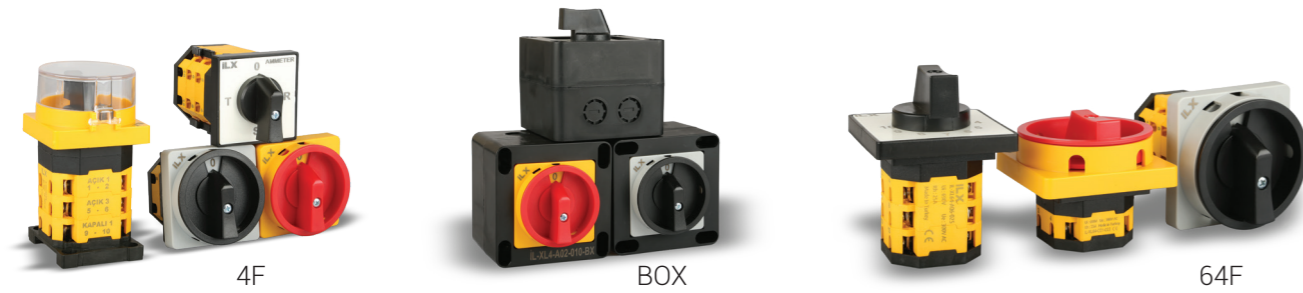
Shaft Attachment Part

Mounting Variety
 Can be mounted on surfaces or DIN rail.



Easy Alignment

Thanks to the shaft being at the center of the cam switch, it is very easy to locate the mounting location in the panel door.



| Model | | 4F-10A | 4F-16A |
|--|----|--------|--------|
| Rated operating voltage Ue | V | 690 | 690 |
| Rated insulation voltage Ui | V | 690 | 690 |
| Rated impulse withstand voltage Uimp (sectionable) | kV | 4 | 4 |
| Rated thermal current Ith | A | 16 | 20 |
| Rated thermal current in enclosed Ithe | A | 12 | 16 |
| Frequency | Hz | 50/60 | 50/60 |

RATED OPERATING CURRENT Ie: alternate current

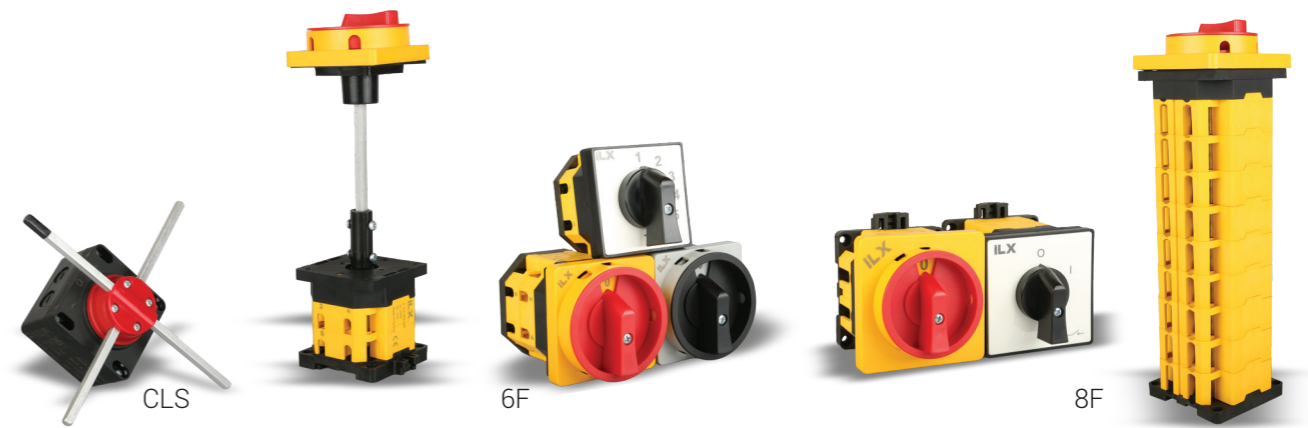
| | | | | | |
|---|-----------------------|------|------|---------|--------|
| AC-21A Switching resistive loads (p) with light overloads | | 690V | A | 12 | 16 |
| AC-22A Switching mixed resistive and inductive loads at light overloads | | 690V | A | 12 | 16 |
| AC-23A Periodic switching of motors (p) | Single phase - 1 Pole | 110V | A/Kw | 12/1.1 | 14/1.5 |
| | | 230V | A/Kw | 12/2.2 | 14/3 |
| | 3 phase - 3 Pole | 230V | A/Kw | 10/3 | 13/4 |
| | | 400V | A/Kw | 10/5.5 | 13/7.5 |
| | | 500V | A/Kw | 10/7.5 | 14/10 |
| | | 690V | A/Kw | 10/7.5 | 14/10 |
| AC3 Starting of cage motors (interruption while running) | Single phase - 2 Pole | 110V | A/Kw | 10/0,75 | 12/1.1 |
| | | 230V | A/Kw | 10/2 | 12/2.2 |
| | 3 phase - 3 Pole | 230V | A/Kw | 8/2,2 | 10/3 |
| | | 400V | A/Kw | 8/4 | 10/5.5 |
| | | 500V | A/Kw | 8/5,5 | 10/7.5 |
| | | 690V | A/Kw | 6/5,5 | 8/7.5 |

RATED OPERATING CURRENT Ie: direct current

| | | | | |
|---|---------------|---|----|----|
| DC-21 A Switching resistive loads with light overloads | 50V (1 Phase) | A | 10 | 12 |
| DC-22A Switching mixed resistive and inductive loads at light overloads | 30V (1 Phase) | A | 8 | 10 |

SHORT CIRCUIT CHARACTERISTICS

| | | | | |
|---|------|----|------|------|
| Rated short-time short circuit withstand current Icw (1s) | | A | 300 | 300 |
| Rated short circuit making capacity Icm | | A | 1200 | 1200 |
| Conditional rated short circuit withstand current | | kA | 6 | 6 |
| Fuse rating gG | 690V | A | 16 | 20 |



| 4F-20A | 4F-25A | 4F-32A | 4F-40A | 6F-40A | 6F-63A | 6F-80A | 6F-100A | 8F-100A | 8F-125A | 8F-160A |
|--------|--------|--------|--------|--------|--------|--------|---------|---------|---------|---------|
| 690 | 690 | 690 | 690 | 690 | 690 | 690 | 690 | 690 | 690 | 690 |
| 690 | 690 | 690 | 690 | 690 | 690 | 690 | 690 | 690 | 690 | 690 |
| 4 | 4 | 4 | 4 | 4 | 4 | 4 | 4 | 6 | 6 | 6 |
| 25 | 32 | 40 | 50 | 50 | 85 | 100 | 125 | 125 | 150 | 160 |
| 20 | 25 | 32 | 40 | 40 | 63 | 80 | 100 | 100 | 120 | 120 |
| 50/60 | 50/60 | 50/60 | 50/60 | 50/60 | 50/60 | 50/60 | 50/60 | 50/60 | 50/60 | 50/60 |

| | | | | | | | | | | |
|---------|--------|---------|---------|---------|---------|---------|-------|-------|--------|--------|
| 20 | 25 | 32 | 40 | 40 | 63 | 80 | 100 | 100 | 125 | 160 |
| 20 | 25 | 32 | 40 | 40 | 63 | 80 | - | - | - | - |
| 18/2 | 25/2.2 | 30/2.5 | 35/3 | 35/3 | 45/4 | 63/5.5 | - | - | - | - |
| 18/4 | 25/4.5 | 30/5.5 | 35/6.5 | 35/6.5 | 45/7.5 | 63/11 | 70/13 | 70/13 | - | - |
| 16/5 | 25/7.5 | 30/9 | 35/11 | 35/11 | 50/15 | 58/18.5 | 94/30 | 94/30 | 140/45 | 173/55 |
| 16/9 | 22/11 | 27/15 | 32/18.5 | 32/18.5 | 40/22 | 54/30 | 68/37 | 68/37 | 78/45 | 99/55 |
| 16/11 | 22/15 | 27/18.5 | 32/22 | 32/22 | 40/30 | 54/37 | 65/45 | 65/45 | 65/45 | 79/55 |
| 16/12.5 | 20/15 | 22/18.5 | 25/22 | 25/22 | 32/30 | 40/37 | - | - | 47/45 | 58/55 |
| 16/1.5 | 22/2 | 25/2.2 | 30/2.5 | 30/2.5 | 36/3 | 45/4 | - | - | - | - |
| 16/3.5 | 22/3.7 | 25/4 | 30/5.5 | 30/5.5 | 35/6.5 | 45/7.5 | 82/15 | 82/15 | - | - |
| 12/4 | 18/5.5 | 23/7.5 | 27/9 | 27/9 | 37/11 | 47/15 | 97/31 | 97/31 | 117/37 | 141/45 |
| 12/6.5 | 18/9 | 23/11 | 27/15 | 27/15 | 35/18.5 | 44/22 | 67/37 | 67/37 | 64/37 | 81/45 |
| 12/8 | 18/11 | 23/15 | 27/18.5 | 27/18.5 | 35/22 | 44/30 | 53/37 | 53/37 | 53/37 | 65/45 |
| 10/9 | 14/11 | 18/15 | 20/18.5 | 20/18.5 | 25/22 | 32/30 | - | - | 39/37 | 47/45 |

| | | | | | | | | | | |
|----|----|----|----|----|---|---|---|---|---|---|
| 16 | 20 | 25 | 32 | 32 | - | - | - | - | - | - |
| 12 | 16 | 20 | 25 | 25 | - | - | - | - | - | - |

| | | | | | | | | | | |
|------|------|------|------|------|------|------|------|------|-----|-----|
| 300 | 500 | 500 | 500 | 500 | 1200 | 1200 | 2000 | 2000 | | - |
| 1200 | 2840 | 2840 | 2840 | 2840 | 2000 | 2000 | - | - | | - |
| 6 | 6 | 6 | 6 | 6 | 6 | 6 | 6 | 6 | 6 | 6 |
| 25 | 32 | 40 | 50 | 50 | 80 | 100 | 125 | 125 | 160 | 200 |

1BODY 3OR 5COLOR



| Model | İL-XT6 | İL-XR6 | İL-XT/V/R7K | İL-XQ | İL-XB | İL-XPRO | İL-XV/VB50 |
|--------------------|-----------------------------|------------------------|-----------------------------|-----------------------|-----------------------|---------------|---------------------|
| Voltage | 24VAC-DC | | | | | | |
| Power | Max. 3.2W per color | | | | Max. 1.3W per color | | |
| Luminous Source | LED | | | | | | |
| Signal Type | Continuous/Flashing/Strobe | | | | Continuous | | |
| Color | Red/Green/Yellow/Blue/White | | | | Red/Green/Yellow | | |
| Lens Material | PC | | | | | | |
| Housing Material | ABS | | | | Aluminum | ABS | |
| Buzzer Output (dB) | 92dB | | | | | | |
| Mounting Type | Screw Mounted | PG13.5 Locknut Mounted | Screw/Bolt/ Locknut Mounted | Screw Mounted to Wall | Screw Mounted to Wall | Screw Mounted | M32 Locknut Mounted |
| Connection | Cable or Connector | | | | | | |
| Protection | IP65 | | | | | | |



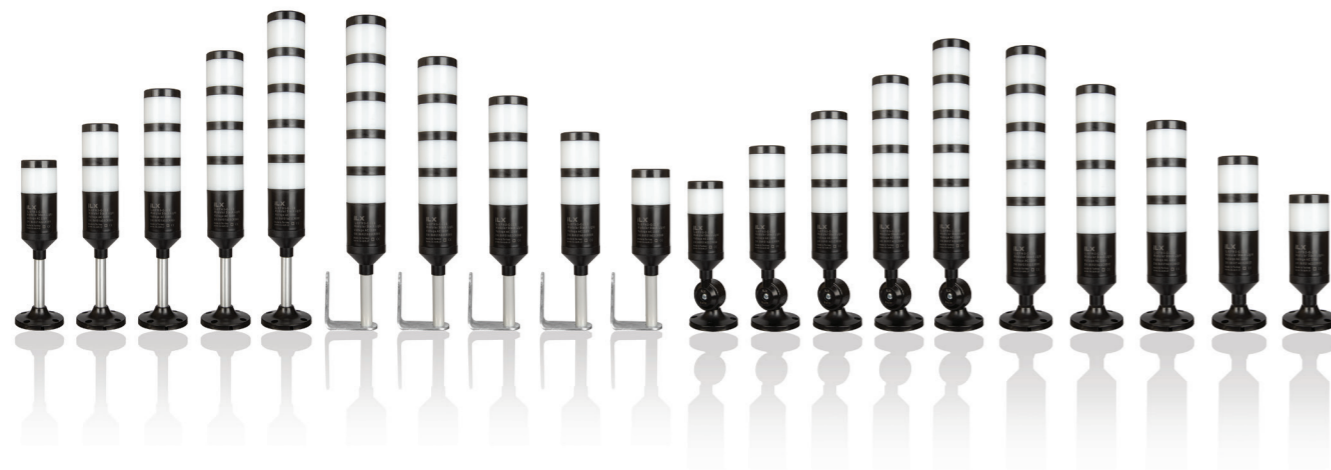
Our variety of pick-to-light solutions guide the operators to pick the part next to be assembled. This eliminates the possibility of faulty production, lowers costs and increases speed and efficiency in the production line.



| Model | İL-XPL50-P | İL-XPL50-S | İL-XPL50-T |
|---------------------|--|------------|--------------|
| Voltage | 18-30V | | |
| Current | 75 mA | | |
| Output Rating | Max. load 150mA | | |
| Color | Red, Green, Blue, Yellow, White | | |
| Lens Material | PC | | |
| Housing Material | ABS | | |
| Sensing Principle | Mechanical Button - Optical - Capacitive Touch | | |
| Buzzer | - | ✓ | - |
| Response Time | < 50milli seconds ON and OFF | | |
| Working Temperature | -40...50°C | | |
| Protection | IP69K | | |
| Dimensions | Ø50xH62 mm | Ø50xH55 mm | Ø50xH76,7 mm |
| Mounting Type | M30x1,5mm | | |
| Connection | 5 pin M12 Male Connector or 0.7m cable | | |

Ø50 PM5 SERIES

AESTHETIC, POWERFUL, MODULAR, FUNCTIONAL



| Model | İL-XPM5-..1 | İL-XPM5-..2 | İL-XPM5-..3 | İL-XPM5-..4 | İL-XPM5-..5 |
|--------------------|--|-------------|-------------|-------------|-------------|
| Voltage | 12VDC - 24VDC - 110VAC - 220VAC | | | | |
| Power | Red: 1.5W, Green-Yellow-Blue-White : 0.9W | | | | |
| Luminous Source | LED | | | | |
| Signal Type | Multi (Continuous/Flashing) | | | | |
| Colors | Red, Green, Yellow, Blue, White (one for each segment) | | | | |
| Lens Material | PC | | | | |
| Housing Material | ABS | | | | |
| Buzzer Tone Type | Multi (Continuous/Intermittent) | | | | |
| Buzzer Output (dB) | 92dB | | | | |
| Protection | IP65 | | | | |
| Weight Approx (kg) | 0,17 | 0,22 | 0,26 | 0,31 | 0,35 |
| Dimensions (mm) | 55x75x176 | 55x75x225 | 55x75x274 | 55x75x324 | 55x75x373 |
| Mounting | Base mount with M5 bolts | | | | |
| Connection | Unterminated cable | | | | |

Ø50 PROFESSIONAL



| Model | İL-XPRO-..1 | İL-XPRO-..2 | İL-XPRO-..3 | İL-XPRO-..4 | İL-XPRO-..5 |
|--------------------|--|-------------|-------------|-------------|-------------|
| Voltage | 24 VDC | | | | |
| Power | Red: 1.5W, Green-Yellow-Blue-White : 0.9W | | | | |
| Luminous Source | LED | | | | |
| Signal Type | Continuous | | | | |
| Colors | Red, Green, Yellow, Blue, White (one for each segment) | | | | |
| Lens Material | PC | | | | |
| Housing Material | Aluminium | | | | |
| Buzzer Tone Type | Intermittent | | | | |
| Buzzer Output (dB) | 92dB | | | | |
| Protection | IP65 | | | | |
| Weight Approx (kg) | 0.36 | 0.42 | 0.48 | 0.54 | 0.6 |
| Dimensions (mm) | 78x52x246 | 78x52x314 | 78x52x382 | 78x52x450 | 78x52x518 |
| Mounting | Base mount with M4 bolts | | | | |
| Connection | Unterminated cable | | | | |

Ø50



| Model | iL-X..-T5-..1 | iL-X..-T5-..2 | iL-X..-T5-..3 | iL-X..-T5-..4 | iL-X..-T5-..5 |
|--------------------|---|---------------|---------------|---------------|---------------|
| Voltage | 12VDC - 24VDC - 110VAC - 220VAC | | | | |
| Power | Red: 1.5W, Green-Yellow-Blue-White : 0.9W | | | | |
| Signal Type | Continuous (S) Flashing (F) | | | | |
| Lens Material | PC | | | | |
| Housing Material | ABS | | | | |
| Buzzer Tone Type | Intermittent | | | | |
| Buzzer Output dB | 92dB | | | | |
| Protection | IP65 | | | | |
| Weight Approx (kg) | 0,15 | 0,21 | 0,27 | 0,33 | 0,40 |
| Dimensions (mm) | 52x75x190 | 52x75x255 | 52x75x320 | 52x75x385 | 52x75x450 |
| Mounting | Base mount with M5 bolts | | | | |
| Connection | Unterminated cable | | | | |

Ø70



| Model | iL-X..-T7-..1 | iL-X..-T7-..2 | iL-X..-T7-..3 | iL-X..-T7-..4 | iL-X..-T7-..5 |
|--------------------|--|---------------|---------------|---------------|---------------|
| Voltage | 12VDC - 24VDC - 110VAC - 220VAC | | | | |
| Power | Red: 2W, Green: 1.3W, Yellow: 0.8W, Blue: 1.4W, White: 1.3W | | | | |
| Signal Type | Multi (Continuous/Flashing) - 4 modes optional (Continuous/Flashing/Rotating/Strobe) | | | | |
| Lens Material | PC | | | | |
| Housing Material | ABS | | | | |
| Buzzer Tone Type | Continuous or Flashing | | | | |
| Buzzer Output dB | 92dB standard - 110dB optional | | | | |
| Protection | IP65 | | | | |
| Weight Approx (kg) | 0,22 | 0,3 | 0,38 | 0,46 | 0,54 |
| Dimensions (mm) | 68x75x154 | 68x75x219 | 68x75x284 | 68x75x349 | 68x75x414 |
| Connection | Unterminated cable | | | | |

Multi M70 Modular Tower Lights

- Available as modular segments, which allows customization in field
- Each light module can be configured individually to continuous or flashing operation mode
- Shock and heat resistant polycarbonate lenses

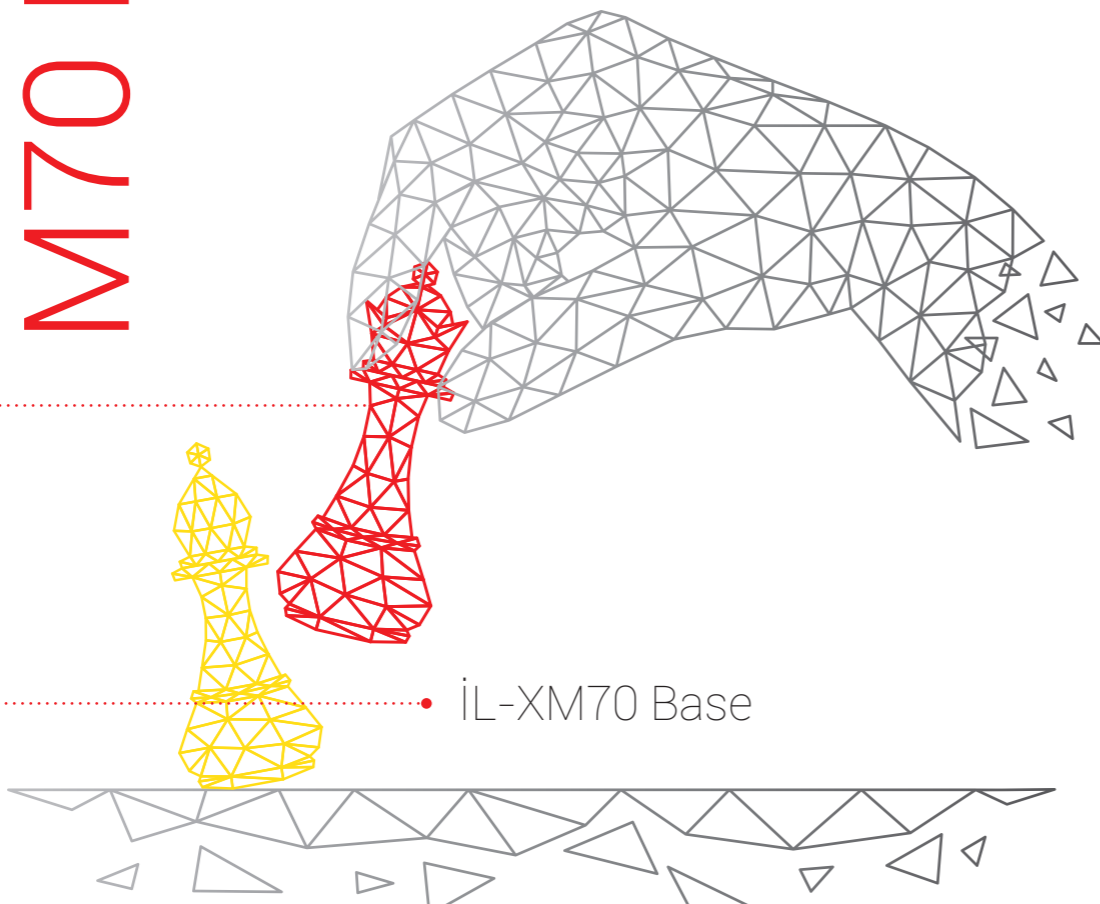


M70 Multi

• iL-XM70 Buzzer Body

• iL-XM70 Led Lens

• iL-XM70 Base



Multi Ø70 Horn Combination Buzzers



Sound Level Adjustment Via Potentiometer, Maximum 127 dB Sound Level

• 4 Different Signal Mode Selectable

• 8 Different Sound Mode Selectable



| Model | iL-XB-QH | iL-XB-BH | iL-XMB-QH | iL-XMB-BH/ MB-BH-1 | iL-XMB-BH-2 | iL-XMB-BH-3 |
|--------------------|---------------------------------|-----------|--|-----------------------|-------------|-------------|
| Voltage | 12VDC - 24VDC - 110VAC - 220VAC | | | | | |
| Power | - | | Red - Yellow: 3W, Green, Blue, White: 2.2W | | | |
| Luminous Source | - | | LED | | | |
| Signal Type | - | | Multi (for each segment) | | | |
| Colors | - | | Red, Green, Yellow, Blue, White | | | |
| Lens Material | - | | PC | | | |
| Housing Material | ABS | | | | | |
| Buzzer Tone Type | 7 Melodies | | | | | |
| Buzzer Output dB | 92dB standard - 110dB optional | | | | | |
| Protection | IP65 | | | | | |
| Weight Approx (kg) | 0,08 | 0,13 | 0,14 | 0,22 | 0,29 | 0,37 |
| Dimensions (mm) | 66x76x69 | 66x76x160 | 68x76x125 | 68x76x220 | 68x76x284 | 68x76x340 |
| Connection | Unterminated cable | | | | | |

FROM 60Ø TO 120Ø



F7



R7K



R6



V8



T7K



V7



V7K

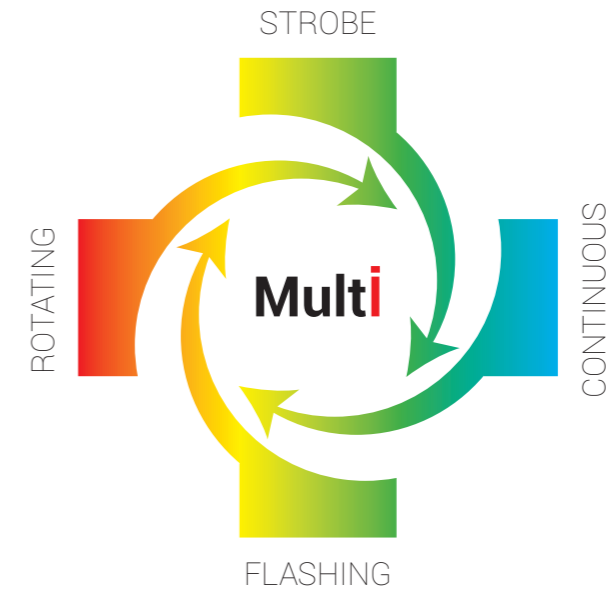


T6



VT8

| Model | İL-XF7 | İL-XT/R/V7K | İL-XT6/R6 | İL-XV8 | İL-XVT8 |
|--------------------|---|----------------------------------|---------------------|------------------------------------|-----------|
| Voltage | 12-80VAC-DC | 12V DC - 24VAC - 110VAC - 220VAC | | 12 to 24V AC/DC - 110V AC - 220VAC | |
| Power | 3-4W | | | | |
| Signal Type | MULTI | | | | |
| Lens Material | AS | PC | | AS | |
| Housing Material | ABS | | | | |
| Buzzer Tone Type | Intermittent (standard)/7 Melodies (optional) | | | | |
| Buzzer Output dB | 110 dB | 92dB standard - 110dB optional | | | |
| Protection | IP65 | | | | |
| Weight Approx (kg) | 0,21 | 0,19 | 0,13 | 0,27 | 0,29 |
| Dimensions (mm) | 98x71x125 | 80x60x100 | 60x82x100-60x68x127 | 84x152 | 84x95x148 |
| Connection | Standard cable | | | | |



T8



T12



T9



T10



T10K

| Model | İL-XT8 | İL-XT9 | İL-XT10 | İL-XT10K | İL-XT12 |
|--------------------|---|------------|-------------|-------------|-------------|
| Voltage | 12 to 24V AC/DC 110VAC - 220VAC | | | | |
| Power | 3-4W | | | | |
| Signal Type | Multi | | | | |
| Lens Material | AS | | | | |
| Housing Material | ABS | | | | |
| Buzzer Tone Type | Intermittent (standard)/7 Melodies (optional) | | | | |
| Buzzer Output dB | 92dB standard - 110dB optional | | | | 110dB |
| Protection | IP65 | | | | |
| Weight Approx (kg) | 0,22 | 0,27 | 0,30 | 0,43 | 0,40 |
| Dimensions(mm) | 81x76x177 | 115x86x130 | 140x100x135 | 140x100x145 | 120x145x185 |
| Connection | Standard cable | | | | |

HP SERIES

- Aesthetical, Powerful, Modular and Functional
- High intensity light output
- Ideal solution for directional signalling applications

Durable polycarbonate lens for tough conditions and ABS housing



İL-XHP1 Series

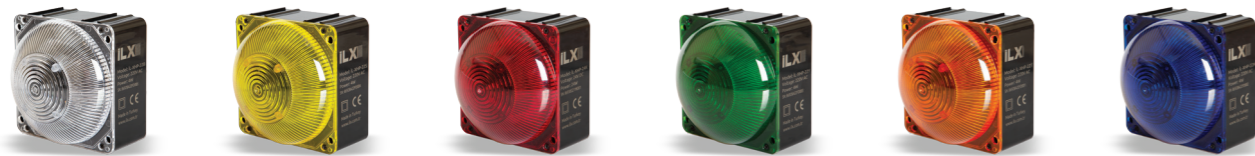
Stackable easy assembly



Functional
Can be adjusted to continuous, flashing, rotating and strobe modes

Colors
Red, Green, Yellow, Orange, Blue, White

Audible Signal
Buzzer: 92dB
Speaker: 120dB



| Model | İL-XHP-24K | İL-XHP-22K | İL-XHP-24BK | İL-XHP-22BK | İL-XHP-24B1K | İL-XHP-22B1K |
|-------------|------------|------------|----------------|----------------|----------------|----------------|
| Voltage | 24 VDC | 220 VAC | 24 VDC | 220 VAC | 24 VDC | 220 VAC |
| Description | Multi | Multi | Multi + Buzzer | Multi + Buzzer | Multi + Buzzer | Multi + Buzzer |

ROBUST & RELIABLE



| Model | İL-XHD-K | İL-XHD-BK/B1K | İL-XHD-B/B1 | İL-XS1-22B | İL-XS2-22B | İL-XS3-22B | İL-XS4-22B | İL-XS5-22B |
|---------------------|-----------------------------------|---------------------------------------|---------------------------------------|------------------------|------------|------------|------------|------------|
| Voltage | 12-24 VDC / 220 VAC | | | 220 VAC | | | | |
| Power | 1-2W | 12W | 10W | 150W | 200W | 280W | 500W | 750W |
| Luminous Source | LED | | | - | | | | |
| Signal Type | Multi | | | - | | | | |
| Colors | Red/Green/Yellow/Blue/White | | | - | | | | |
| Lens Material | PC | | | - | | | | |
| Housing Material | Aluminium | | | | | | | |
| Buzzer Tone Type | - | 7 Melodies | | - | - | - | - | - |
| Siren | - | ✓ | - | - | - | - | - | - |
| Siren Loudness (dB) | - | 110 - 120 | | 105 | 110 | 115 | 120 | 130 |
| Motor Speed (RPM) | - | | | 16.000 | 12.000 | 8.000 | 6.000 | 4.500 |
| Rated Time | - | | | 5 min. | | | | |
| Protection | - | | | IP40 | | | IP44 | |
| Weight Approx | 1.26 kg | 2.6 kg | 1.6 kg | 2.60 kg | 2.75 kg | 5.60 kg | 13.14 kg | 13.31 kg |
| Dimensions (mm) | 140x210 | BK: 300x214x131 B1K: 150x127x300mm | B: 145x131x214mm B1: 131x131x107mm | 136x222 | 157x258 | 362x376 | 362x435 | 362x510 |
| Mounting | Base-mount with screw, Wall-mount | Wall Mounted | | Base-mount with screw, | | | | |
| Connection | Unterminated cable | | | | | | | |

SOLAR POWER

Our solar warning lights are the best choice in cases where power outages are a problem. It is also a suitable option for places where delivering mains power is expensive or not preferred.



| Model | İL-XACSL | İL-XACSL-BD | İL-XSL510 |
|-------------------------------|-----------------------------|-----------------|-----------------|
| Solar Cell Capacity | 1W | | 5W |
| Battery Capacity | 3.7V 2000mAh | | 6V 4.5Ah |
| Luminous Source | LED | | |
| Signal Type | Strobe | | |
| Color | Transparent Lens, Red Light | | |
| Luminous Intensity | > 10 Cd | > 10 Cd | > 32 Cd |
| Horizontal Beam Spread | 360° | | |
| Lens Material | PC | | |
| Housing Material | ABS | Aluminum | ABS + Steel |
| Operation Time at Full Charge | 36 Hours | | 60 Hours |
| Protection | IP65 | | |
| Mounting Type | Base Mount | 32mm Pipe Mount | 38mm Pipe Mount |
| Weight Approx (kg) | 0,36 | 1 | 6.5 |
| Dimensions (mm) | 110x139x135 | 110x118x146 | 486x255x272 |

AIRCRAFT

- Photocell integrated
- Internal fault detection
- Luminous intensity that exceeds the standards
- Internal backup LEDs provide continuous operation during a fault
- High efficiency: more light, less heat, less electricity and a greener world



| Model | İL-XACF-AP | İL-XACF-AD | İL-XACF-BP | İL-XACF-BD | İL-XACF-A2 | İL-XACF-B2 |
|-------------------------------|--------------------------------|-------------|-------------|-------------|------------|------------|
| Voltage | 12, 24 VDC or 110-240 VAC | | | | | |
| Luminous Source | LEDs | | | | | |
| Signal Type | Continuous / Flashing / Strobe | | | | | |
| Color | RED | | | | | |
| Luminous Intensity | >10 Cd | >10 Cd | >32 Cd | >32 Cd | >10 Cd | >32 Cd |
| Horizontal Beam | 360° | | | | | |
| Lens Material | PC | | | | | |
| Housing Material | ABS | Aluminum | ABS | Aluminum | Aluminum | Aluminum |
| ICAO Conformity | Annex 14, Volume 1, Chapter 6 | | | | | |
| Internal Backup | ✓ | | | | | |
| Dry Contact For Failure Alarm | ✓ | | | | | |
| Photocell Integrated | ✓ | | | | | |
| Warranty Period | 2 years | | | | | |
| Weight Approx (kg) | 0.38 | 1 | 0,38 | 1 | 4,5 | 4,5 |
| Dimensions (mm) | 110x139x135 | 110x118x146 | 110x139x135 | 110x118x146 | 346x370 | 346x370 |
| Connection | Cable | | | | | |
| IP Class | IP65 | | | | | |

EASE OF USE

- iL-XU: Easy charging through USB
- iL-XJ: Can be charged through car power outlet
- iL-XP: Able to operate for 12 hours on battery
- iL-XFP: Ability to sense day/night through on board photocell



| Model | iL-XU | iL-XJ | iL-XP | iL-XFP |
|---------------------------|---------------------------------|----------------------|-------------------|--------|
| Voltage | 12V AC/DC | | | |
| Luminous Source | LED | | | |
| Signal Type | Multi | | | |
| Color | Red, Green, Yellow, Blue, White | | | |
| Horizontal Visibility | 360° | | | |
| Lens Material | PC | | | |
| Housing Material | ABS | | | |
| Battery | 3.6V, 2000mAh | | | |
| Operation Time on Battery | 24 hours | | | |
| Photocell | - | - | - | ✓ |
| Protection | IP65 | | | |
| Weight Approx | 0,46 | 0,52 | 0,39 | 0,39 |
| Dimensions (mm) | 90 x 130 x 116 | | | |
| Mounting | Base Mount or Magnet | | | |
| Charge Method | USB cable | Vehicle power outlet | Unterminated wire | |

iLX Machine Working Light iL-XML18-C and iL-XML18-M

Power : 10.8W/16.2W/21.6W/32.4W/43.2W
 Input : 24VDC
 Colors : 5000K or 6000K
 Driver : Build in
 Electric protection : Protected against reverse polarity
 Response time : <10 ms
 Working temperature (°C) : -40°~50°
 IP rating : IP67
 LED life span (H) : 100000 hours
 Installation : Surface mount by metal lamp or suspension
 Wire connection : Integrated two core wires, wire lengths customized
 Material : iL-XML18-C
 Powerful SMD LED, high transmittance polycarbonate diffuser, Aluminium body, unique designed driver
 Material : iL-XML18-M
 Powerful SMD LED, high transmittance polycarbonate diffuser, High purified Aluminium frame



IL-XFL60

iLX-iL-XML18-M

Compact design, save much space;
 IP67 waterproof, oil-proof;
 Available in 5 lengths from 150mm to 1200mm;
 Clear or milk diffuser available;
 High power led, bright and energy saving;
 White/red/yellow/green colors available;
 Metal clamps, easy to install or repositioning

iLX-iL-XML18-C

Compact design, save much space;
 IP67 or IP69K, waterproof, oil-proof;
 Available in 5 lengths from 150mm to 1200mm;
 Clear or milk diffuser available;
 High power led, bright and energy saving;
 White/red/yellow/green colors available;
 Metal clamps, easy to install or repositioning



iLX Flexible Machine Work Light Series

Use the latest Energy saving led lightings technology, High purity & strong Aluminium alloy body, joints, can withstand toughest environment, water and oil resistant, maintenance free .
 Bright, light evenly and uniform
 24VDC or 100-260VAC
 Adjustable in different directions
 Quick Spec
 Input: 24V DC or 200-240V AC or 120VAC
 Power: 7W - 700 LM: iL-XCNC07
 Power: 12W - 1200 LM: iL-XCNC12
 Arm: Short arm or long arm(optional)
 Electric protection: Over-current, over load protection.
 For DC input, polarity free
 Working environment:-40°+50°
 Beam Angle: <120°
 Color tempertuare: 6000K-6500K
 CRI: >80
 Lighting efficiency: 100lumen/W
 Material: High purity Aluminium alloy, ABS
 IP rating: IP67
 Approval: CE, FCC

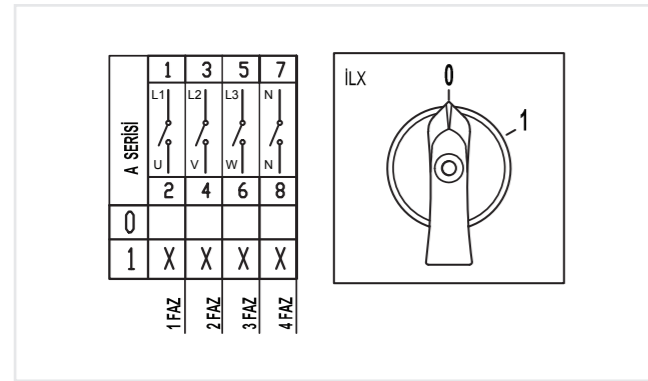
iLX Machine Working Light

Item No. : iL-XFL60
 Power : 7W
 Input : 24VDC 290mA
 Lumen : 600
 Driver : Build in
 Colors : Neutral white/Cold white
 Response time : <10 ms
 Working temperature (°C) : -40°~50°
 IP rating : IP67
 LED life span (H) : 100000 hours
 Goose length : 14x450mm
 Head dimension : 60x36mm
 Mounting plate dimension : 80x43mm
 Material : Excellent Aluminium body, head and plate, high transmittance diffuser,
 High power COB led, quality steel goose

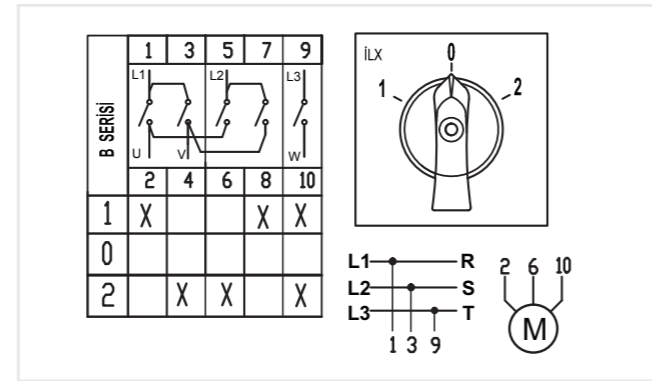


IL-XCNC12

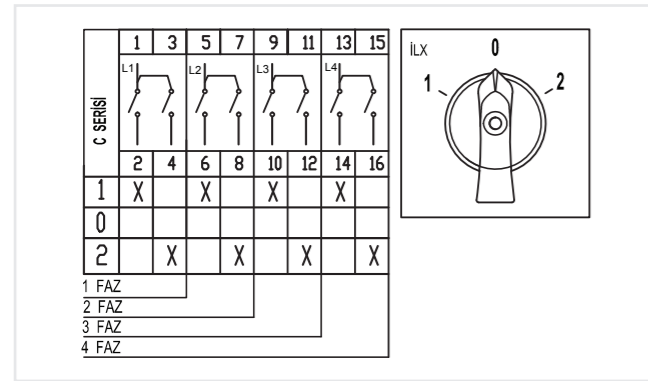
On-Off (0-1) Switches



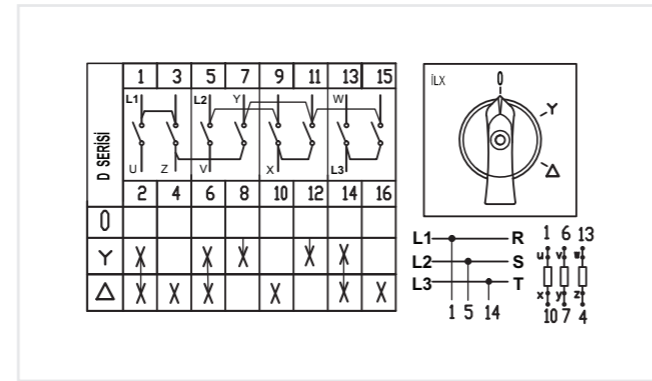
3 Phase Inverter Switches (1-0-1)



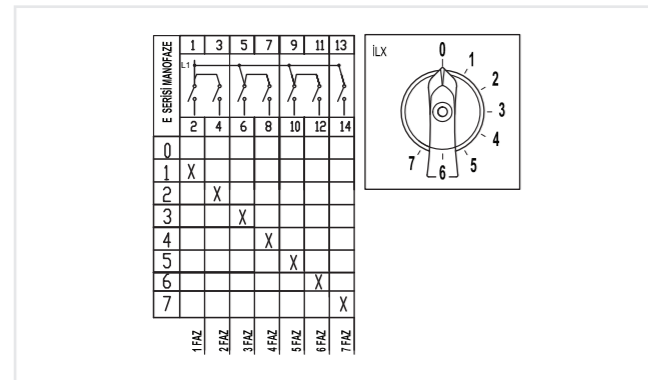
Changeover Switches (1-0-2)



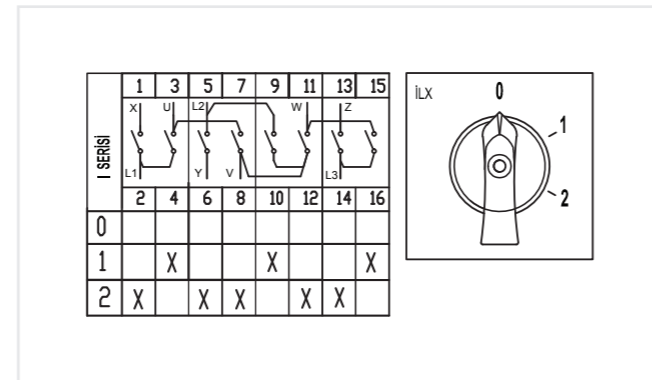
Star Delta Switches (0-Y-Δ)



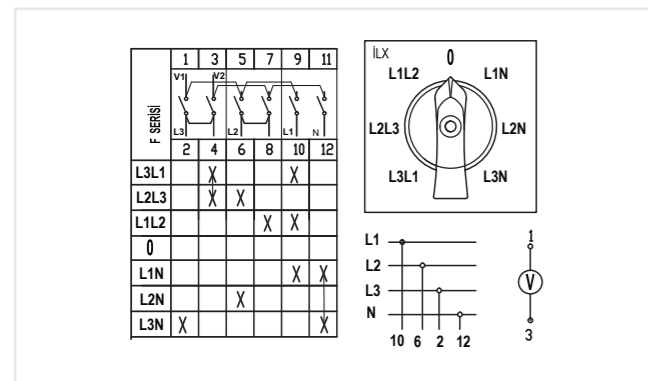
1 Phase Step Switches



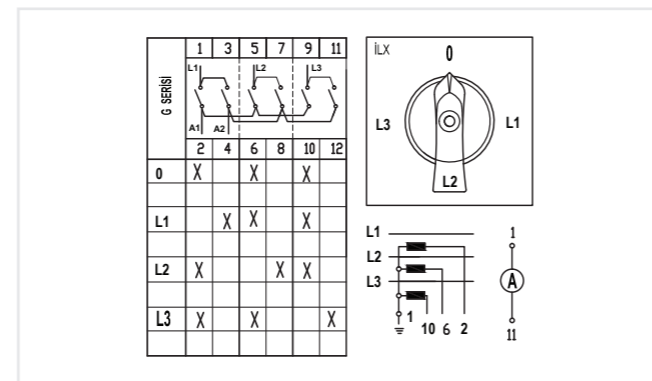
3 Phase Two Speed Motor Control



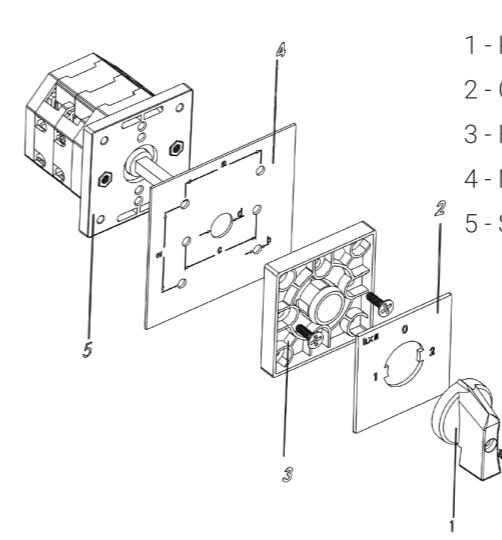
Voltmeter Selector Switch



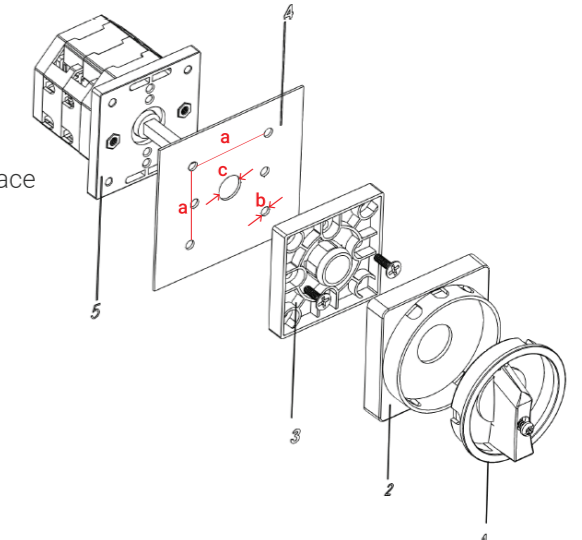
Ammeter Selector Switch



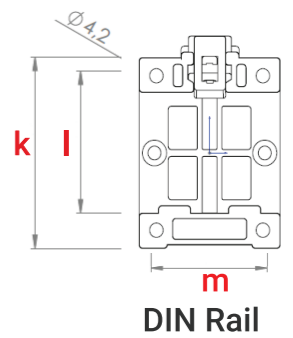
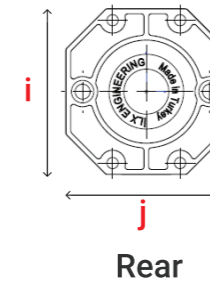
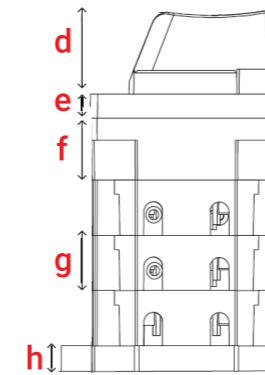
P Type



L Type



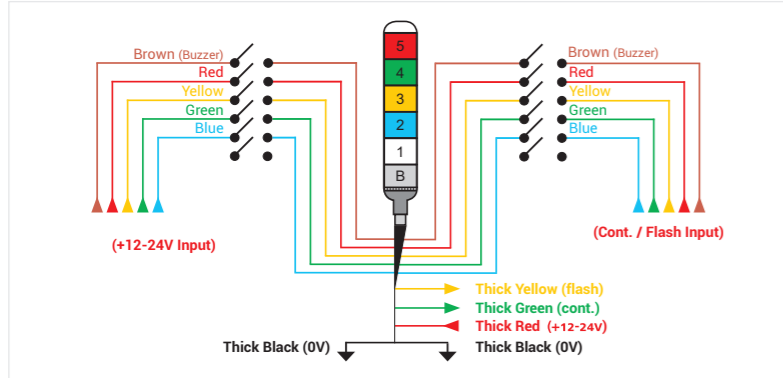
- 1 - Knob
- 2 - Cover
- 3 - Front Plate
- 4 - Mounting Surface
- 5 - Switch



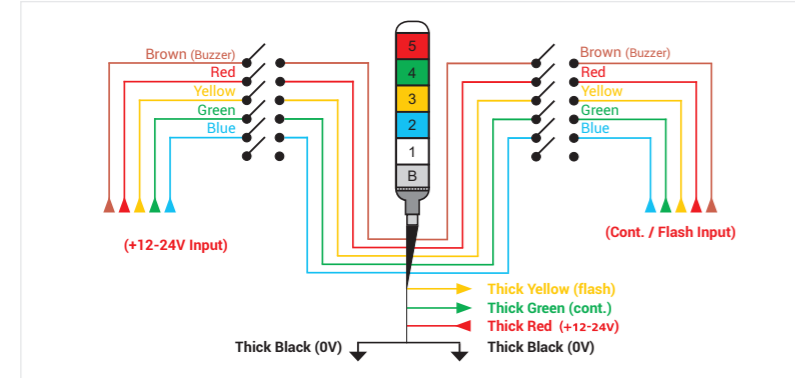
| Body Type | Suitable For (Ampere) | a | b | c | d | | e | | f | g | h | | i | j | k | l | m |
|-----------|-----------------------|----|-----|---|--------|--------|--------|--------|----|------|----------|------|------|------|------|------|------|
| | | | | | p type | l type | p type | l type | | | DIN rail | Rear | | | | | |
| 4F | 10 (A) | | | | | | | | | | | | | | | | |
| | 16 (A) | | | | | | | | | | | | | | | | |
| | 20 (A) | 36 | 3 | 5 | 16 | 20 | 7,5 | 9,5 | 14 | 11,6 | 7 | 5,5 | 44,5 | 43 | 60 | 45 | 43,5 |
| | 25 (A) | | | | | | | | | | | | | | | | |
| | 32 (A) | | | | | | | | | | | | | | | | |
| 6F | 40 (A) | | | | | | | | | | | | | | | | |
| | 50 (A) | 53 | 3,2 | 6 | 22 | 26,5 | 8 | 10 | 20 | 18,2 | 9,5 | 8,5 | 65 | 63,5 | 74 | 53,5 | 53,5 |
| | 63 (A) | | | | | | | | | | | | | | | | |
| 8F | 80 (A) | | | | | | | | | | | | | | | | |
| | 100 (A) | | | | | | | | | | | | | | | | |
| | 125 (A) | 66 | 4 | 6 | 22 | 26,5 | 8 | 10 | 20 | 24,5 | 9,5 | B | B | B | 91,5 | 68 | 66 |

*H length is increased according to the slot number.
*Unit of measurement: millimeter

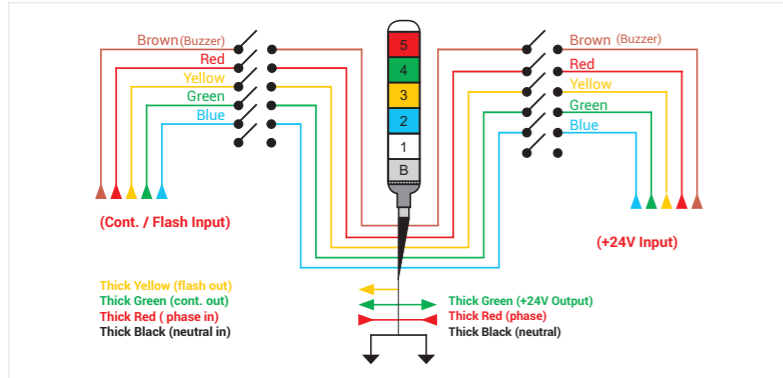
iL-XS, SB-T5/12,24 VDC



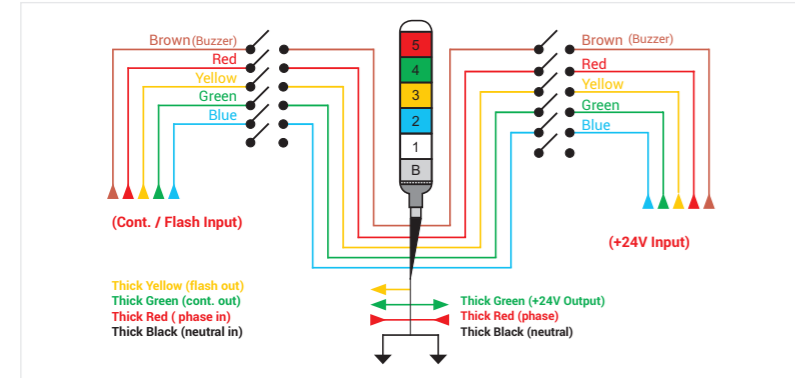
iL-XF, FB-T5/12,24 VDC



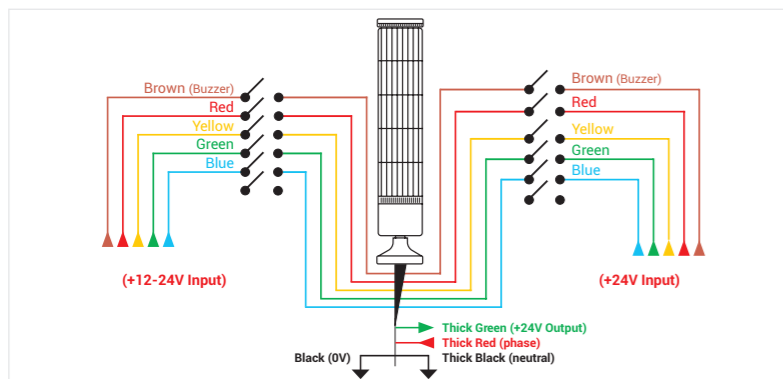
iL-XF, FB-T5/110,220 VAC



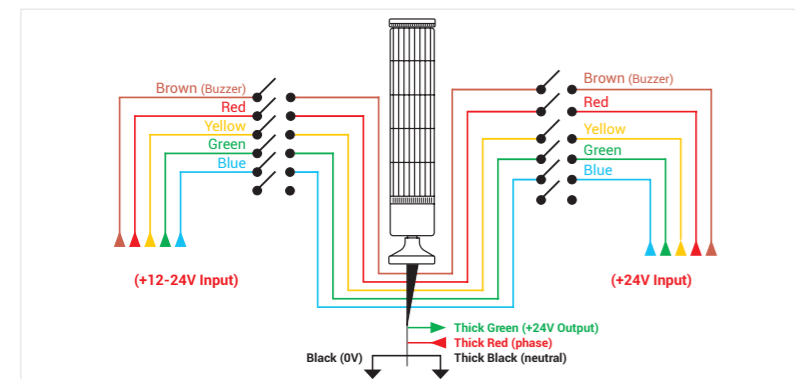
iL-XS, SB-T5/110-220 VAC



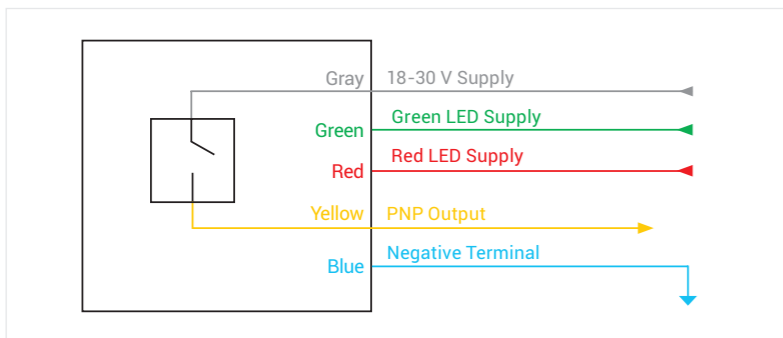
iL-XMB-T7 / 12-24V



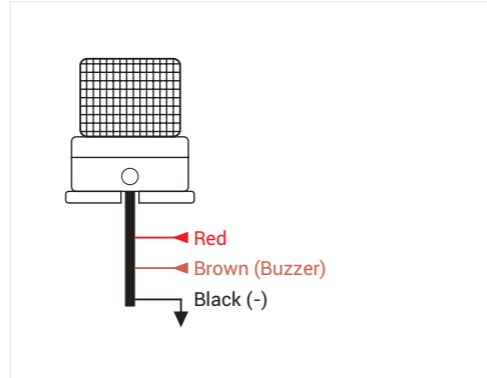
iL-XMB-T7/110-220 VAC



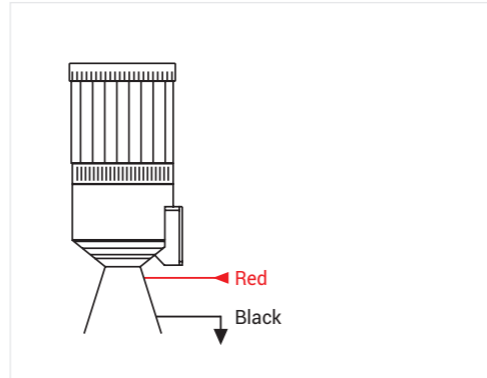
iL-XPL-50 / PICK TO LIGHT



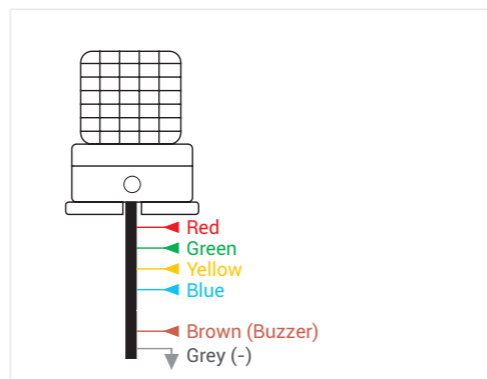
iL-XMB-T8/9/10/12 Series Warning Lights



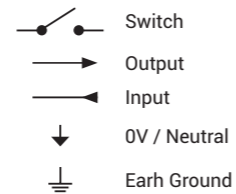
iL-XMB-B, Q Series



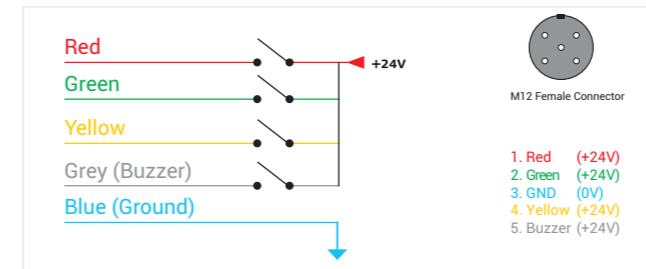
iL-XRGB Series



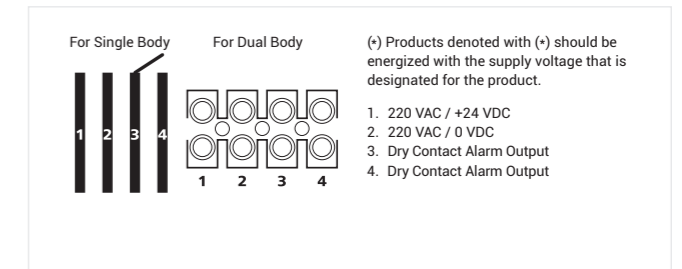
Symbols



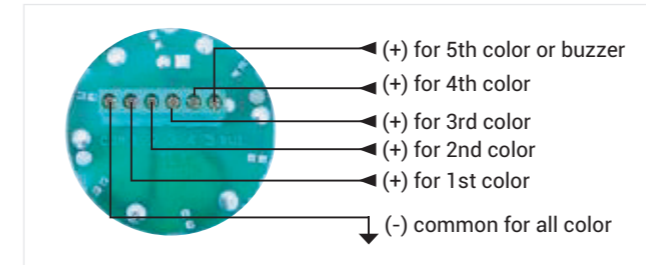
iL-XPRO



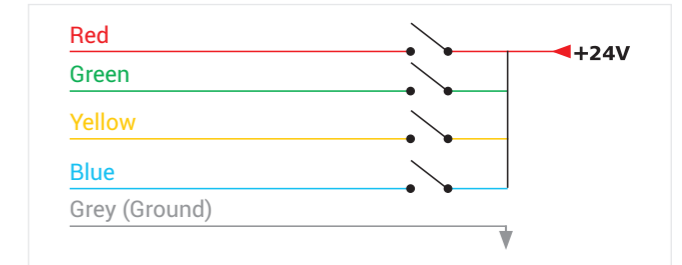
iL-XACF/Aircraft Warning Lamp



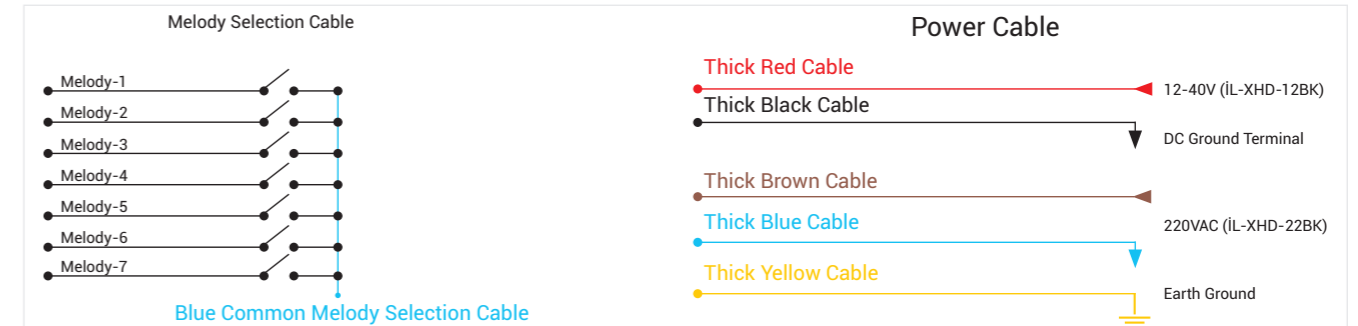
iL-X XM67 Modular



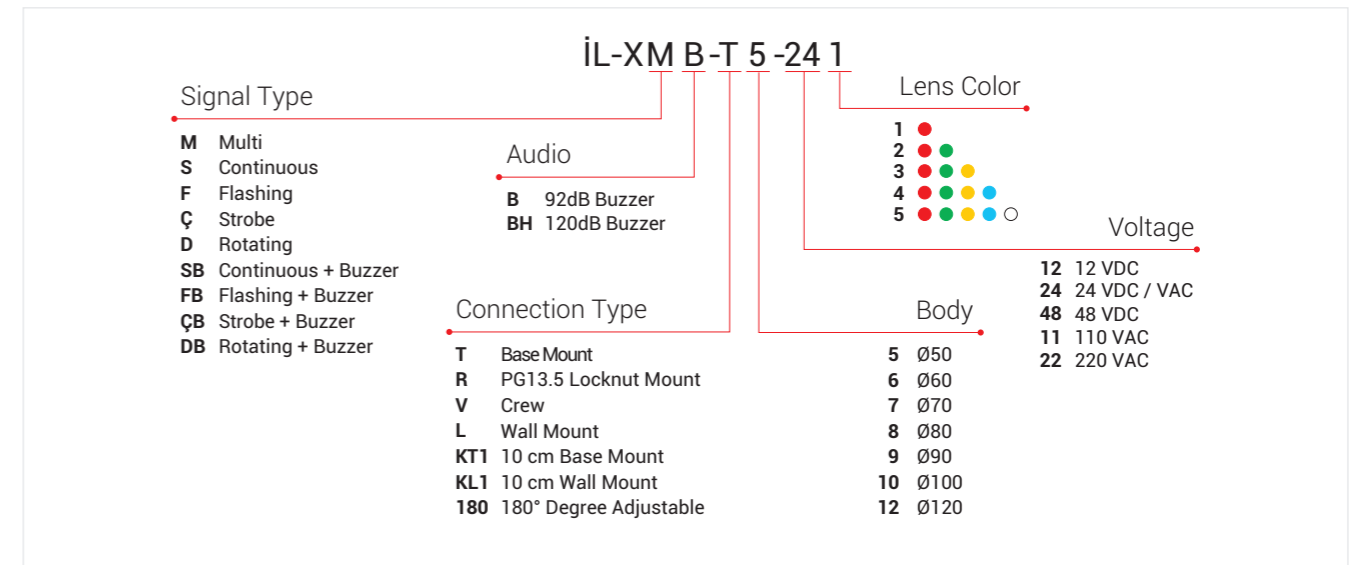
iL-XV50



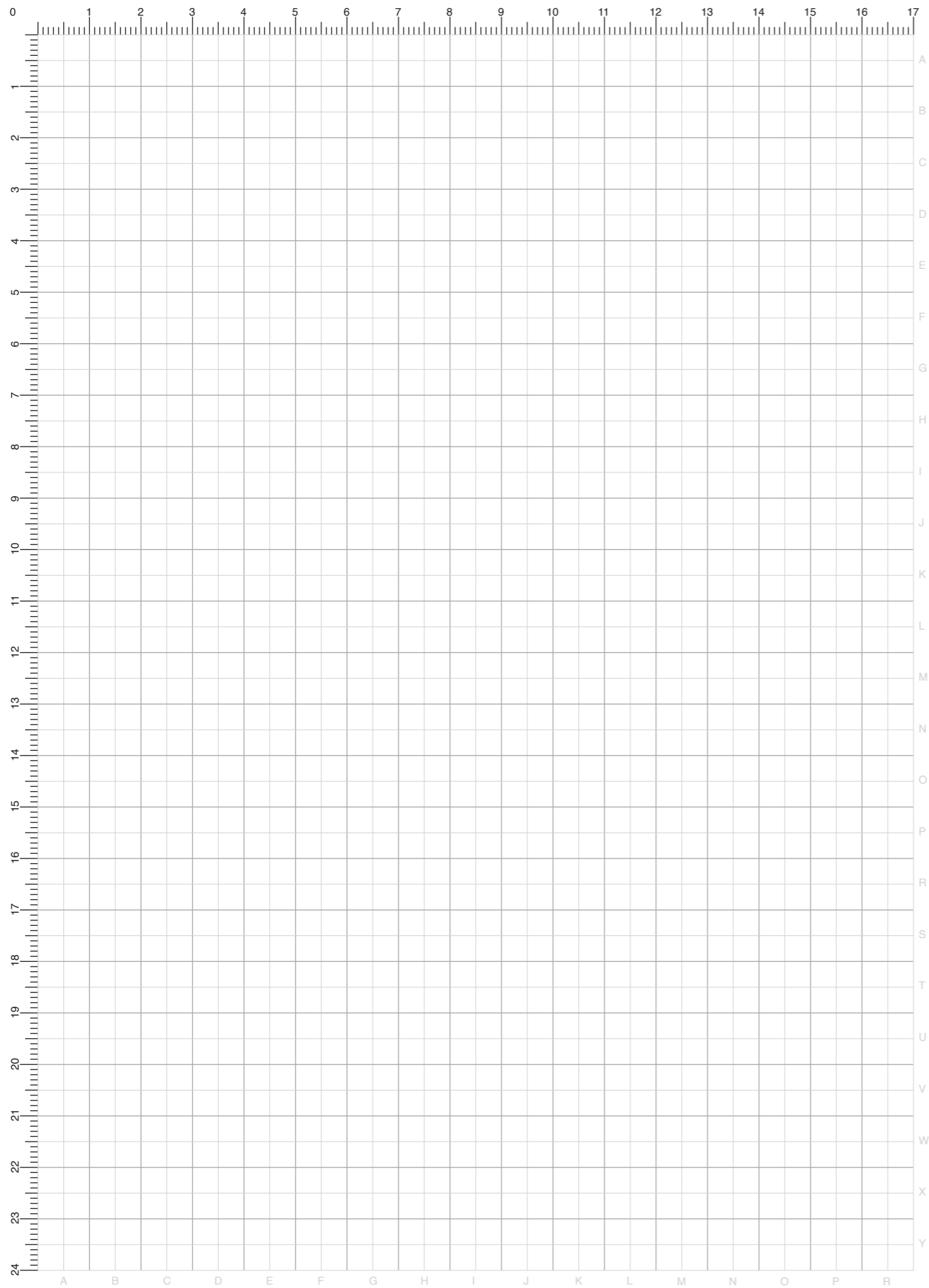
iL-XHD/HEAVY DUTY



Coding Table



! WARNING! NEVER APPLY POWER TO OUTPUT CABLES

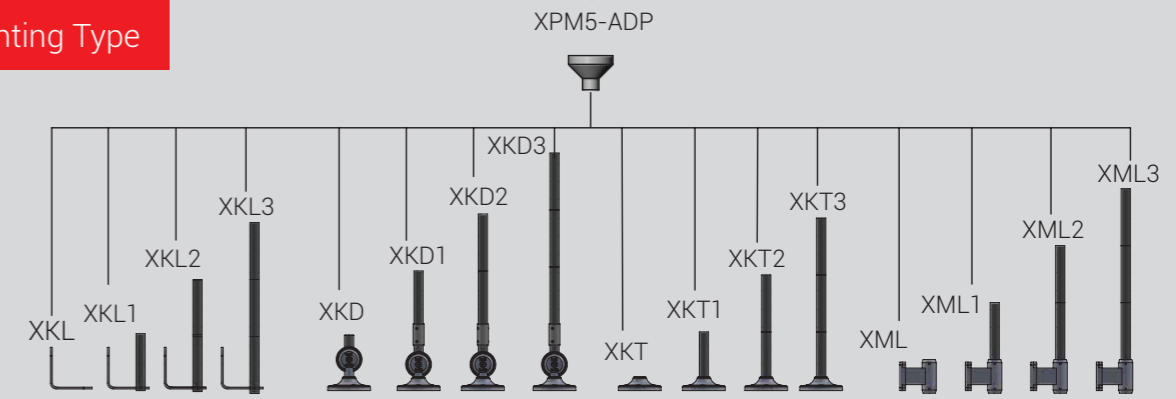


It is designed to add value to your machine. Recreate your tower lights.

Aesthetic, Powerful, Modular, Functional

- Variations**
5 colors + RGB
1~5 segments, single color in each segment
- Strong Structure**
Suitable for heavy conditions
Polycarbonate Lens
- Functional**
Continuous and flashing operation adjustable for each segment.
- Audible**
With a sound level of 92 dB
Continuous or Intermittent
Adjustable Buzzer
- Detachable Lens**
Build your own tower lights with Modular Lenses
- Lens**
iL-XPM5-LK
iL-XPM5-LY
iL-XPM5-LS
iL-XPM5-LM
iL-XPM5-LB
- Body**
iL-XPM5-GR-24
iL-XPM5B-GR-24
iL-XPM5-GR-22
iL-XPM5B-GR-22
- Mounting**
Adjustable, 90° angle,
Upright and Wall
mounting options

Mounting Type





Çamlık Mah. İkbal Cad. Uğurlu Sokak
No: 3 Ümraniye - İstanbul - TÜRKİYE
T +90 216 499 11 06 (Pbx) F +90 216 499 23 32
info@ilx.com.tr | www.ilx.com.tr

